



Rhythos

Victoria Arduino

INSPIRED BY YOUR PASSION.





The signature of our passion.

Carefully nurturing the passion for excellence in all espresso coffee lovers with the most advanced coffee knowledge, the best technology and design.

Working alongside our partners who strive for success through coffee excellence and the principles of ethical, social and environmental responsibility.

With more than 100 years of history and innovation in the coffee industry, our expertise is at your disposal.

**Victoria Arduino,
inspired by your Passion.**

Victoria Arduino
INSPIRED BY YOUR PASSION.



FOR THOSE WHO LIVE THE LEGEND.

We are people living their profession with passion.

We are global citizens linked to our lands and territories. We search for innovation respecting the people and the environment.

We believe what we do can have an impact. We embrace technology and design to deliver better results.

We know that maximum precision and control are what really makes the difference. The details matter.

Mythos remains the legend of creating excellence in coffee. Since 2013 it continues its destiny of being a key partner in expanding our passion.

And now we expand that partnership to reach a new level of grinding perfection. Again.

THE GRINDING PERFECTION. AGAIN.

GRINDING PERFECTION. AGAIN.



Mythos was developed to define a new idea of precision and control. Now, the time has come to set a new level of grinding perfection.

/ IMPROVED USER EXPERIENCE

New integrated touchscreen display, simplified logic, enhancing experience.

/ ABSOLUTE CONTROL

Even more stable temperature, even easier maintenance, even better precision and control.

/ NEW DESIGN

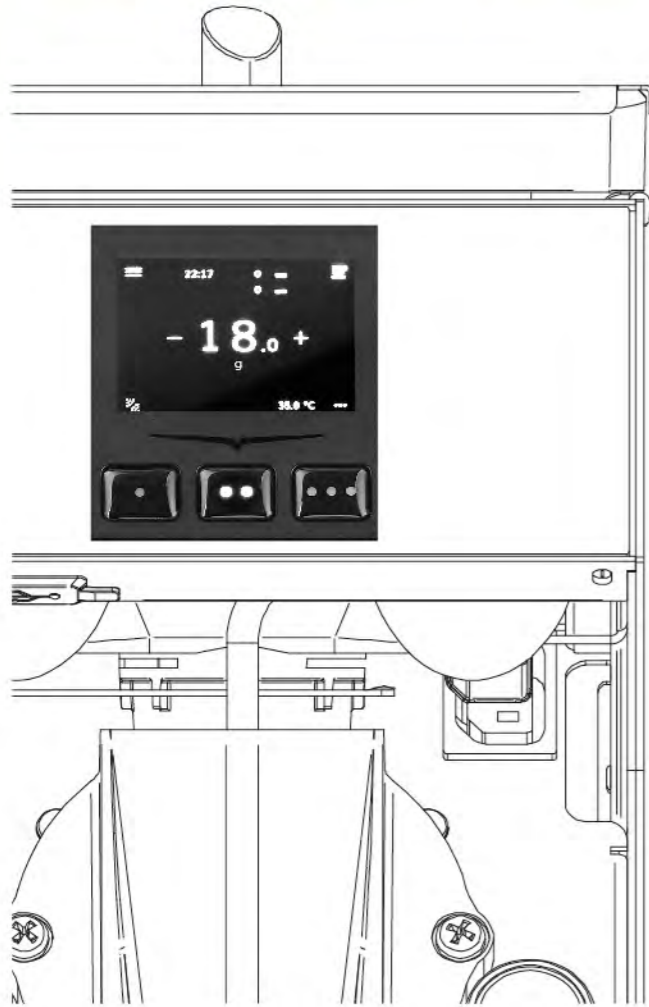
An iconic design outside, more efficient inside the pride of Mythos is expressed in every detail.



The background features several large, gold-colored geometric shapes. On the left, there is a vertical bar and a diagonal bar. In the center, a vertical bar is partially cut off by the page edge. On the right, a diagonal bar is also partially cut off. The text 'IMPROVED USER EXPERIENCE' is centered in the right half of the page.

IMPROVED USER EXPERIENCE

PROGRAMMING EXCELLENCE FOR A SUPERIOR WORKFLOW



Functionality with a single touch.

The new touchscreen display is even more user-friendly. Baristas can easily change settings, read all the information needed and maintain total control of the grinder.



Fluid, intelligent and easy-to-use programming logic.

Intuitive programming logic makes service smoother and more hassle-free, allowing for coffee professionals to focus on consistency and quality.



ABSOLUTE CONTROL

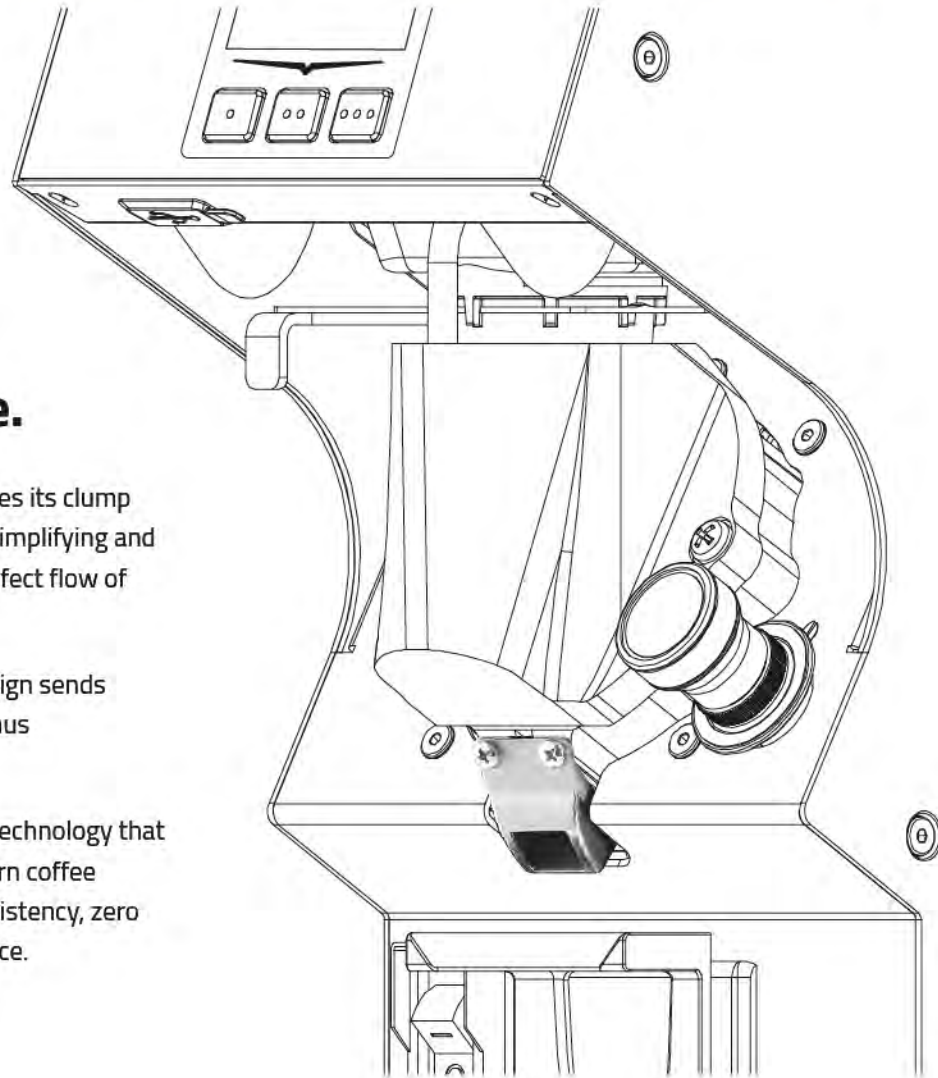
THE ORIGINAL STANDARD FOR ABSOLUTE CONTROL

Perfect flow and zero waste.

Today, Mythos further improves its clump crusher and outlet spout, by simplifying and reinforcing it to guarantee perfect flow of ground coffee in the filter.

The new filterholder hook design sends ground coffee into the filter thus minimising waste.

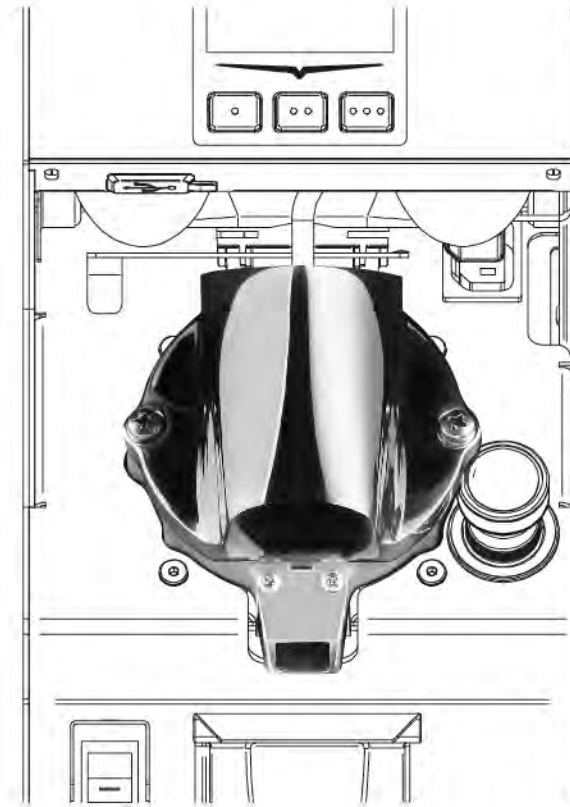
Mythos native and patented technology that meets the needs of the modern coffee professionals: maximum consistency, zero waste and ease of maintenance.



Immediate accessibility.

Cleaning and maintenance operations are now more simple and accessible.

We have reduced the number of screws to access the heart of the machine and have improved direct visibility to the key functioning parts of Mythos.



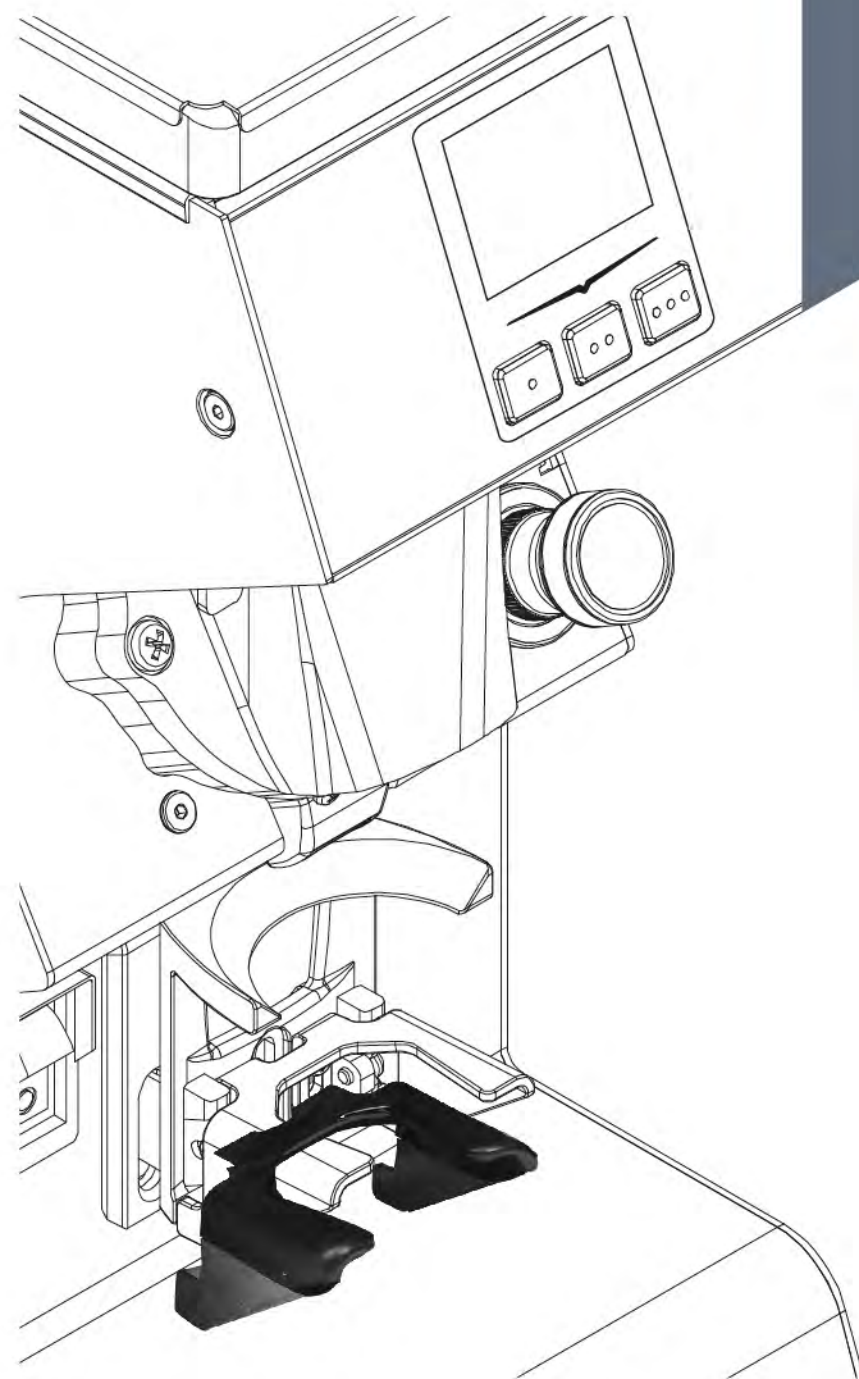
The lowest temperature tolerance ever achieved.

Different coffees need different grinding temperatures. With Mythos Clima Pro, baristas can set grinding temperatures from 30 to 60°C in order to extract the greatest qualities of each type of coffee.

For us, better control leads to better results.

What's essential when you never accept limits.

The gravimetric version has an upgraded programming and built-in scale. These features grant maximum consistency and create a much faster workflow for grinding and weighting coffee.



Tailored granulometry.

Easy and precise micrometric adjustment allows baristas to manage each shot with more accuracy. Barista can read burrs distance directly from the display in order to have an improved understanding of grind setting variable.





NEW DESIGN

AESTHETICS AND EFFICIENCY: THIS IS OUR SENSE OF DESIGN

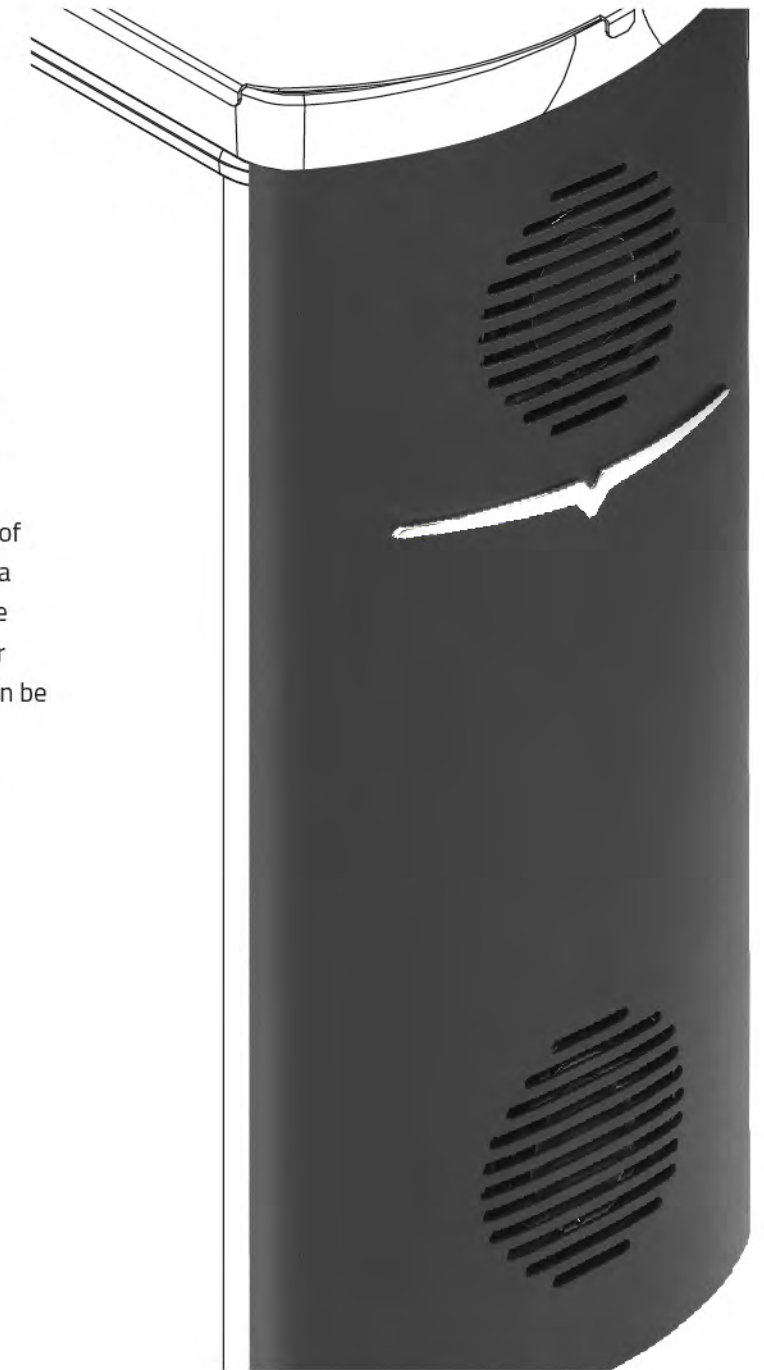
Exciting new integrated display.


The smooth and responsive combination of the glass and touchscreen integrated display create an intuitive and fluid control panel that is elegant, simple to adjust and easy to clean.



Doubled coolness.

We were the first to install two fans instead of one, and again the first to mount them both on the back. This provides for ideal airflow inside of the grind chamber. Counter space is a premium for cafes. If you need to use several grinders at the same time for different needs, now each grinder can be set side by side. A wall of excellence at your service.





**MYTHOS
WAS CREATED FOR
PROFESSIONALS
WHO DESERVE
THE BEST.**

5 VERSIONS OF PERFECTION

More productivity with the 85mm burrs. Absolute precision in the gravimetric version. Today, Mythos defines a world of detail but founded in a common design. And with the same obsession for perfection that we share with Baristas and Roasters across the globe.

Tailored to your needs: Mythos creates a system of excellence and satisfies the pursuit of your passion with the same vision.

MYONE

- Simplified display
- 75mm burrs



MY85

- 85mm burrs



MY75

- 75mm burrs



MYG85

- 85mm burrs
- Gravitec



MYG75

- 75mm burrs
- Gravitec



NEW
2022

OFFICIAL
GRINDER



 Mythos

MY ONE

NEW
2022



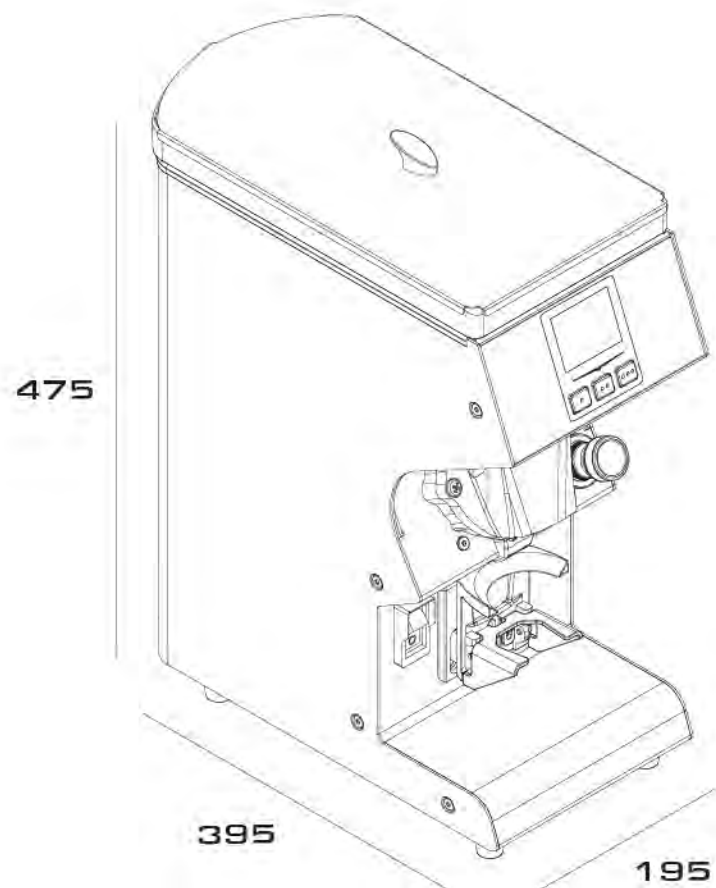


NEW MODEL!

MYONE is your Mythos One with a new design and new accessibility.

- **75mm burrs** fixed speed timed version.
- Three **programmable doses**.
- Three different operating methods: programmable doses, **barista mode** and continuous.
- **Simplified display** with two touchscreen buttons to increase or decrease the dose in barista setting.
- **Same motor** as Mythos family.
- **Same design** and accessibility as Mythos family.
- **Same ventilation** system as Mythos family.
- **Electronic temperature control** of grinding chamber.

DETAILS AND OPTIONALS



Version	MYONE	MY75	MY85	MYG75	MYG85
Bean Hopper Capacity	1,5kg	1,5kg	1,5kg	1,5kg	1,5kg
Grinding Regulation	Micrometric	Micrometric	Micrometric	Micrometric	Micrometric
Burrs Distance Setting	Not Included	Included	Included	Included	Included
Long Life Treatment	Included	Included	Included	Included	Included
Engine Protection System	Included	Included	Included	Included	Included
Type Of Dosage	Timed	Timed	Timed	Gravimetric	Gravimetric
Burrs (mm)	75	75	85	75	85
Grinding Speed (gram/sec)	2,5 - 3,0	2,7 - 3,5	4 - 4,5	2,7 - 3,5	4 - 4,5
Touchscreen Display	TFT Display	Included	Included	Included	Included
Electronic Dosing	Included	Included	Included	Included	Included
N. Programmed Doses	3	3	3	3	3
Stop&Go	Included	Included	Included	Included	Included
Barista Function	Included	Included	Included	Included	Included
Dose Addition Function	Included	Included	Included	Included	Included
Languages	I/GB/F/D/E	I/GB/F/D/E	I/GB/F/D/E	I/GB/F/D/E	I/GB/F/D/E
Total Counter	Included	Included	Included	Included	Included
Partial Counter	Included	Included	Included	Included	Included
Weight (net – Kg)	23,8	23,8	24,5	24	24,7
Power	230 V / 450 W 115 V / 960 W	230 V / 450 W 115 V / 960 W	230 V / 650 W 115 V / 750 W	230 V / 450 W 115 V / 960 W	230 V / 650 W 115 V / 750 W

Rythos

**CAFFEINE
LIMITED**
Quality, Pride & Passion

CAFFEINE LIMITED
3 LITTLE MUNDELLS, WELWYN GARDEN CITY
HERTFORDSHIRE, UNITED KINGDOM, AL7 1EW
T. 01707 278 400 W. www.caffeinelimited.com



Victoria Arduino
INSPIRED BY YOUR PASSION.

Simonelli Group SpA | Via E. Betti, 1 | 62020 Belforte del Chienti (MC) Italy | P. +39 0733 9501

info@victoriaarduino.com

www.victoriaarduino.com

 [victoriaarduinoofficial](https://www.instagram.com/victoriaarduinoofficial)